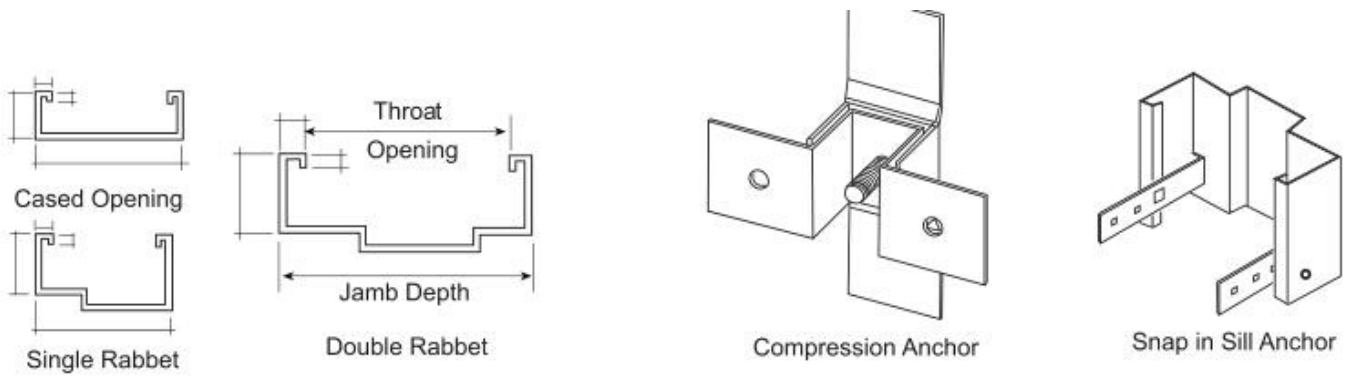


Drywall Frame:



Jamb Depth	4-3/4"	5-7/8"	6-1/4"	6-5/8"	7-1/4"	7-3/4"	8-1/4"
Throat Opening	3-3/4"	4-7/8"	5-1/4"	5-5/8"	6-1/4"	6-3/4"	7-1/4"

Tech Data:

Profiles: Unequal rabbet, single rabbet, cased opening

Thickness: Made for basic door thickness: 1-3/4"(45mm)

Gauges: 16 Gauge (1.5mm)

Size availability: Maximum size single- 4 feet × 8 feet, Maximum size double- 8 feet × 8 feet

Fire label range: maximum fire rating 90 minutes with compression anchors.

Anchors: Welded in compression anchors with loose sill anchors

Reinforcement: closer rein, hinge rein, lock rein shall be provided

Silencer perp: 9/32 inch diameter holes shall be provided as standard on strike jamb and double headers (3 per strike jamb and 2 per double head)